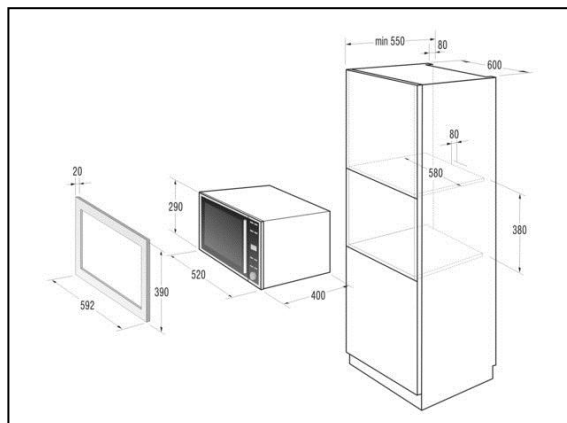




Gorenje Microwave BM5350X – 273890



- AUTO menu
- AUTO defrost
- Easy cook function
- Child lock

Basic information :

Brand
Built-in / Free-standing
Type of micro-wave oven
Cavity capacity (l)
Maximum micro-wave power (W)
Grill power (W)
Door opening
Color / Material front
Front screen material
Connection Rating (W)
Current (A)
Voltage (V)
Frequency (Hz)
Length of electrical supply cord (cm)
Plug type
Net weight (kg)
Gross weight (kg)
height of the product
width of the product
Depth of the product
Crunchpan
Gourmet Wave Technology
Depth of internal space
Min height of installation niche
Max height of installation niche
Min width of installation niche
Max width of installation niche
Height of the packed product
Width of the packed product
Depth of the packed product

Gorenje
Built-in
Microwave oven with grill
30 l
900 W
1200 W
Button
Colour of stainless steel
Glass
1450 W
16 A
220-230 V
50 Hz
110,0 cm
Euro
18,4 Kg
19,4 Kg
390 mm
595 mm
400 mm
290 mm
350 mm
372 mm
380 mm
380 mm
580 mm
580 mm
466 mm
655 mm
460 mm

Features :

Additional cooking method Grill
Type of combination
Type of grill
Type of control
Clock
Number of power levels
Turntable
Turntable diameter (mm)
Cavity material

Yes
Microwaves+grill
Tubular
Electronic
Yes
5
Removable
315 mm
Stainless steel