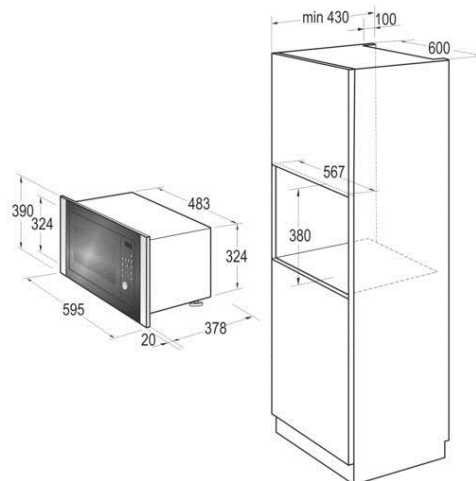




Gorenje Microwave BM6350X - 311705



Type of micro-wave oven	Combined microwave oven
Cavity capacity (l)	25 l
Maximum micro-wave power (W)	900 W
Grill power (W)	1000 W
Door opening	Button
Color cabinet	Colour of stainless steel
Color / Material front	Colour of stainless steel
Front screen material	Glass
Connection Rating (W)	1950 W
Current (A)	12 A
Voltage (V)	230 V
Frequency (Hz)	50 Hz
Length of electrical supply cord (cm)	100,0 cm
Net weight (kg)	15,0 Kg
Gross weight (kg)	18,5 Kg
height of the product	390 mm
width of the product	595 mm
Depth of the product	413 mm
Crunchpan	220 mm
Gourmet Wave Technology	340 mm
Depth of internal space	344 mm
Min height of installation niche	380 mm
Max height of installation niche	380 mm
Min width of installation niche	567 mm
Height of the packed product	370 mm
Width of the packed product	575 mm
Depth of the packed product	550 mm

Features :

Additional cooking method Grill	Yes
Additional cooking method Fan cooking	Yes
Additional cooking method Conventional	Yes
Type of combination	Grill+microwaves+hot air
Type of auto-cooking	Sensor and weight control
Type of grill	Quarc
Type of control	Electronic
Clock	Yes
Number of power levels	10
Turntable	Removable
Cavity material	Stainless steel