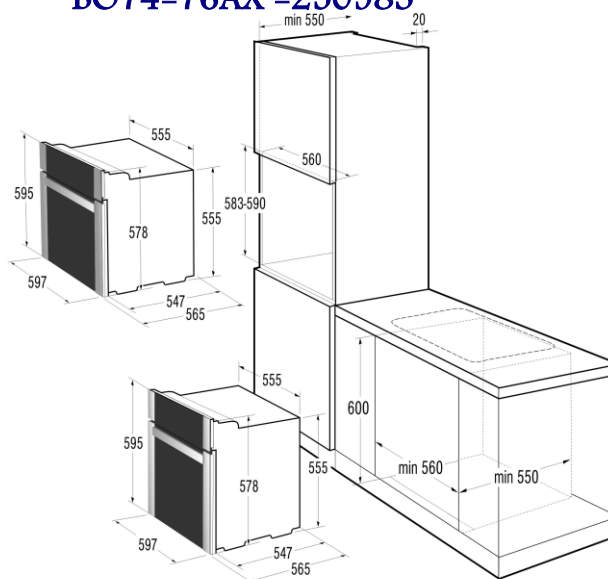




## Gorenje Built In Electric OVEN

BO74-76AX -250983

**A Class -20%**  
**Telescopic guides**



**gorenje**  
BO7476AX



0.87

0.79

65.0

46

### Features

- Cooking method **Multi-function**
- Oven interior / Temperature control **Electronic**
- Time control **Electronic**
- Time-setting Options **Start and stop**
- Integrated Cleaning system
- Interior lights **1**
- Grids **2**
- **Deep baking pan – 1**
- **Baking tray EM – 1**
- **Electronic multifunction oven with pre-set menus**
- **Fast pre-heating**
- Eco Clean enamel
- Variable grill
- Timer clock
- **Electronic control module "direct touch"** Ultra cool door
- Color / Material front **White**
- **Push Pull Knobs**
- Pan holder
- Installation type **Built-in**
- Control panel material **Inox**
- Door Material **Glass / Inox**
- Energy input **Electricity**
- Gas connection rating (W)/ Electrical connection rating (W)**3300 W**
- Current (A)/ Voltage (V)**230 V**
- Frequency (Hz)**50 Hz**
- **Supply cord 3 x 1.5**
- Cooling fan **Dynamic oven cooling plus DCS+**
- Flap grill
- Oven guides **Three level telescopic 3D**
- **3 Years Guarantee Parts and Labour**
- Pan holder

### Energy / Performance

Dimensions of the product (mm)**595 X 597 X 565**  
 Dimensions of the packed product (mm)**691 X 635 X 680**  
 Required niche size for installation (mm)**590 X 560 X 550**  
 Net weight (kg)**35,0 Kg**  
 Gross weight (kg)**39,3 Kg**

Energy efficiency class - **A**  
 Energy consumption conventional (kWh) - **0,87 kWh**  
 Energy consumption forced air convection (kWh) - **0,79 kWh**  
 Useable volume (of cavity) - cavity **65,0 Litres**  
 Product size - cavity **1 Medium**  
 Noise - **46 db(A)re 1 pW**