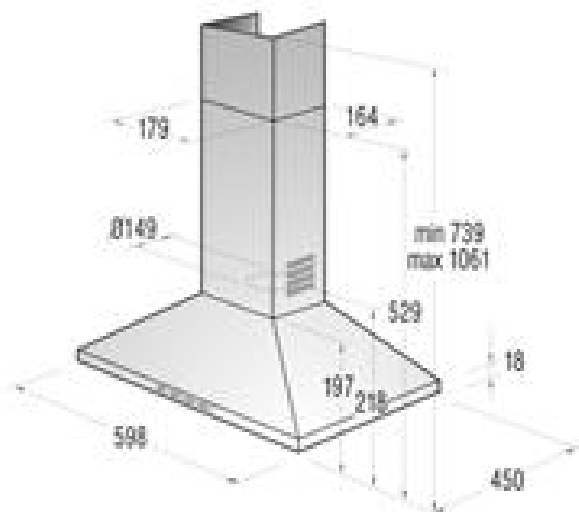




CENTROCASALINGA

Gorenje Hood Dk610E-646642



Features

- Sound protection **Standard sound protection**
- Max. pressure/speed **I180 Pa**
- Max. pressure/speed **II229 Pa**
- Max. pressure/speed **III259 Pa**
- Sound power/speed **I48 dB(A)re1pW**
- Sound power/speed **II62dB(A)re1pW**
- Sound power/speed **III65 dB(A)re1pW**
- Power input / speed **I58 W max**
- Power input/speed **II87 W max**
- Power input/speed **III135 W max**
- Air flow by extraction version, step **I183 m³/h**
- Air flow by extraction version, step **2247 m³/h**
- Air flow by extraction version, step **3372 m³/h**
- Maximum extraction rate by extraction operation **403m³/h**
- Free air flow by extraction version **452 m³/h**

Basic Information

- Typology **Wall freestanding**
- Motor location **Motor integrated in the hood**
- Operating mode **Convertible**
- Connection Rating (W) **200 W**
- Current (A) **0 A**
- Voltage (V)/ Frequency (Hz) **0 Hz**
- Approval certificates **CE, DEMKO**
- Length of electrical supply cord (cm) **150 cm**
- Height of the chimney (mm) **739/1061**
- Height of product, without chimney (mm) **197 mm**
- Dimensions of the product, width x depth (mm) **598 X 450 mm**
- Dimensions of the packed product (mm) **570 X 670 X 320**
- Net weight (kg) **5,8 Kg**
- Gross weight (kg) **8,2 Kg**

Tel : 21250980 / 21233566 web: www.centrocasalinga.com