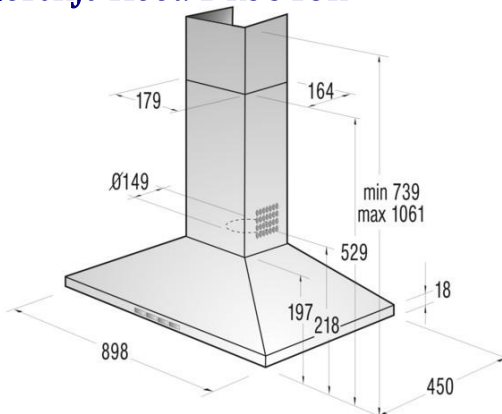




CENTRO CASALINGA

Gorenje Hood Dk9315x



Features

- Sound protection **Standard sound protection**
- Max. pressure/speed I **58 Pa**
- Max. pressure/speed II **136 Pa**
- Max. pressure/speed III **195 Pa**
- Sound power/speed I **43 dB(A)re1pW**
- Sound power/speed II **50 dB(A)re1pW**
- Sound power/speed III **59 dB(A)re1pW**
- Power input / speed I **58 W max**
- Power input/speed II **87 W max**
- Power input/speed III **135 W max**
- Air flow by extraction version, step 1 **183 m³/h**
- Air flow by extraction version, step 2 **247 m³/h**
- Air flow by extraction version, step 3 **372 m³/h**
- Maximum extraction rate by extraction operation **372 m³/h**
- Free air flow by extraction version **250 m³/h**

Basic Information

- Typology **Wall freestanding**
- Motor location **Motor integrated in the hood** Operating mode **Convertible**
- Connection Rating (W) **200 W**
- Current (A) **0 A**
- Voltage (V)/ Frequency (Hz) **0 Hz**
- Approval certificates **CE, DEMKO**
- Length of electrical supply cord (cm) **150 cm**
- Height of the chimney (mm) **739/1061**
- Height of product, without chimney (mm) **197 mm**
- Dimensions of the product, width x depth (mm) **898 X 450 mm**
- Dimensions of the packed product (mm) **570 X 970 X 320**
- Net weight (kg) **9 Kg**
- Gross weight (kg) **11,4 Kg**

Tel : 21250980 / 21233566 web: www.centrocasalinga.com