



Built-In Oven
 EVP241-411E - BO7540AX
[242588](#)

USP :

Line
 Oven controls

PREMIUM
K44FP - Multifunction oven with variable grill - 10 functions

Chimney type oven
 Extra large oven
 EkoClean enamel
 Variable grill



Timer clock

Touch control operated electronic timer with display of temperature and selected function

Ultra cool door, triple glass (UCD, T<35K)



Perfectly flat interior door glass surface



Oven lighting

Efficient double illumination

Cooling fan

Dynamic oven cooling plus DCS+

Illuminated push-pull knobs



Flap grill



"easy clean" inserts on oven interior panels



Safety door lock



Oven door switch



Oven guides

Three level telescopic 3D

Meat probe



Pan holder



Basic information :

Brand

Gorenje

Product name / Family

Built-In Oven

Color / Material front

Colour of stainless steel

Installation type

Built-in

Control panel material

Glass/Stainless steel

Door Material

Glass/Stainless steel

Energy input

Electricity

Electrical connection rating (W)

3300 W

Voltage (V)

230 V

Frequency (Hz)

50 Hz

Plug type

Schuko / supply cord 3 x 1.5

Dimensions of the product (mm)

595 X 597 X 565

Dimensions of the packed product (mm)

691 X 635 X 680

Required niche size for installation (mm)

590 X 560 X 550

Net weight (kg)

38,0 Kg

Gross weight (kg)

42,3 Kg

Features :

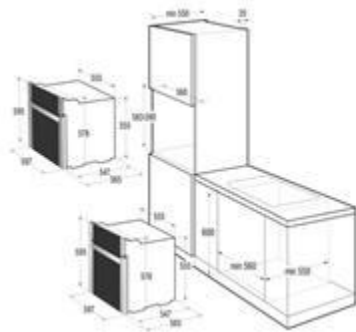
Large infra-red heater
 Deep enameled XXL pan
 Enameled baking pan
 Cooking method
 Temperature control
 Time control
 Time-setting Options
 Integrated Cleaning system
 Interior lights
 Grids
 Trays
 Additional equipment included

Yes
Yes
Yes
Multi-function
Electronic
Electronic
Start and stop
Catalytic and hydrolytic
2
1
2
Deep baking pan - 1
Baking tray EM - 1

Energy label information / Performance :

Energy efficiency class - cavity 1
 Energy consumption conventional (kWh) - cavity 1
 Energy consumption forced air convection (kWh) - cavity 1
 Useable volume (of cavity) - cavity 1
 Product size - cavity 1
 Noise - cavity 1

A
0,87 kWh
0,79 kWh
60,0 Litres
Medium
46 db(A)re 1 pW



Installation sketch :