

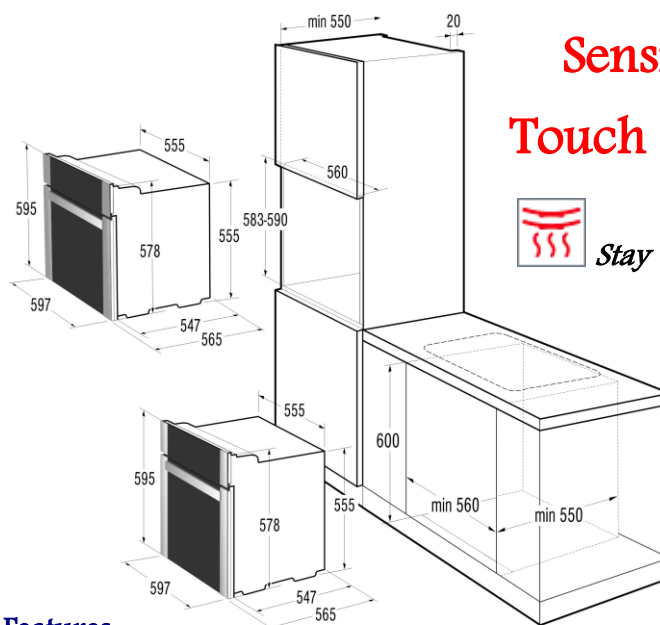


CENTROCASALINGA

Gorenje Built In OVEN

BO8776AX

A Class
Sensitive
Touch Screen



Stay Warm Feature

Features

- Cooking method **Multi-function**
- Oven interior / Temperature control **Electronic**
- Time control **Electronic**
- Time-setting Options **Start and stop**
- **Aqua Clean**
- Interior lights 1
- Grids 1
- Trays 2
- **Deep baking pan – 1**
- **Baking tray EM – 1**
- Easily removable door
- **Electronic multifunction oven with pre-set menus**
- **Fast pre-heating**
- Eko Clean enamel
- Variable grill
- Timer clock
- **Electronic control module "direct touch"** Ultra cool door
- Color / Material front **Stainless Steel**
- Oven guides **Three level telescopic 3D**
- Pan holder
- Installation type **Built-in**
- Control panel material **Glass**
- Door Material **Glass**
- Energy input **Electricity**
- Electrical connection rating (W)**3300 W**
- Current (A)/ Voltage (V)**230 V**
- Frequency (Hz)**50 Hz**
- **Supply cord 3 x 1.5**
- Cooling fan **Dynamic oven cooling plus DCS+**
- Flap grill
- Safety door lock
- Oven guides **Three level telescopic 3D**
- **5 Years Guarantee Parts and Labour**
- Pan holder

Energy / Performance

Dimensions of the product (mm)**w597 X h595 X d565**
 Dimensions of the packed product (mm)**w691 X h635 X d680**
 Required niche size for installation (mm)**w560 Xh 590 X d550**
 Net weight (kg)**38,0 Kg**
 Gross weight (kg)**42,3 Kg**

Energy efficiency class – **A**
 Energy consumption conventional (kWh) – **0,87 kWh**
 Energy consumption forced air convection (kWh) – **0,79 kWh**
 Useable volume (of cavity) – cavity **60,0 Litres**
 Product size – cavity **Medium**
 Noise – **46 db(A)re 1 pW**